

**NACHI**

Compact and super fast robot  
from NACHI

**MZ04/MZ04E**



- Smart cable routing in hollow wrist
- Compact with a wide working envelope
- Fastest operating speed in its class improves productivity

## Smart Cable Routing

Cable and tubes can be routed through hollow wrist



### Cable routing improved

avoids interference with peripheral equipment  
allows the arm to enter tight spaces  
improved reliability with stable cable behavior during high speed operation



## Basic specification of robot

Item		Specification		
Robot Model		<b>MZ04-01 (MZ04D-01)</b>	<b>MZ04E-01<sup>3</sup> (MZ04DE-01)</b>	
Number of Axis		6		
Drive System		AC Servo Drive		
Max. Speed [rad/s]°/s	Arm	J1 Swivel	8.38(480)	
		J2 Forward/Backward	8.03(460)	
		J3 Upward/Downward	9.08(520)	
	Wrist	J4/J5 Rotation 2/Bend	9.77(560)	
		J6 Rotation 1	15.71(900)	
Max. Payload [kg]		4		
Allowable Static Loading Torque [N·m]	J4/J5 Rotation 2/Bend	8.86		
	J6 Rotation 1	4.9		
Position Repeatability <sup>*2</sup> [mm]		±0.02		
Ambient Temperature [°C]		0~45		
Installation		Floor / Wall / Tilted / Invert mount	Floor / Invert mount	
Robot Mass <sup>15</sup> [kg]		26	25	
Max. Reach [mm]		541		
Dust Proof, Drip Proof		IP40 equivalent <sup>*4</sup>		

1 (rad) = 180 / π (°), 1 (N·m) = 1 / 9.8 (kgf·m) \*2 JIS B 8432 compliant.  
\*3 MZ04E (IP40) and MZ04DE (IP67) use 80w motors or less on all axes.  
\*4 MZ04 and MZ04E are IP40 protection class equivalent. MZ04D and MZ04DE are IP67 protection class equivalent.  
\*5 Wall mount Rear Connection Type +4kg Bottom Connection Type +6kg

## Specification of controller

Item	Specification
Controlled Axis	6-Axes
Maximum Control Axis	7-Axes
Program Number	9,999 programs
Memory Capacity	256MB (2,560,000 program steps equivalent)
Memory Device	USB Port
External Dimension	369(W)×490(D)×173(H)
Weight	Approx. 17kg
Primary Power Supply	3-Phase AC200-230V ±10% Single Phase AC200-230V ±10%
Consuming Power	0.4KVA
Dust Proof, Drip Proof	IP20
Ambient Temperature	0~40°C
Ambient Humidity	20~85% (Non-condensing)

## Application Examples



# NACHI

NACHI-FUJIKOSHI CORP.

[www.nachi.com](http://www.nachi.com)

Head Office Shiodome Sumitomo Bldg. 17F, 1-9-2 Higashi-Shinbashi, Minato-ku, Tokyo 105-0021  
Robot Division 1-1-1 Fujikoshi-Honmachi, Toyama 930-8511, JAPAN

Tel: +81-(0)3-5568-5247  
Tel: +81-(0)76-456-2223

Fax: +81-(0)3-5568-5237  
Fax: +81-(0)76-493-5251

NACHI ROBOTIC SYSTEMS INC.  
NACHI AMERICA INC. HEADQUARTERS  
NACHI CANADA INC.  
NACHI MEXICO, S.A. DE C.V.  
NACHI BRASIL LTDA.  
NACHI EUROPE GmbH  
NACHI TECHNOLOGY (THAILAND) CO., LTD.  
NACHI SINGAPORE PTE. LTD.  
PT.NACHI INDONESIA  
NACHI TECHNOLOGY INDIA PVT. LTD.  
NACHI (AUSTRALIA) PTY. LTD.  
NACHI-FUJIKOSHI (CHINA) CO., LTD.

Michigan, U.S.A.  
Indiana, U.S.A.  
CANADA  
MEXICO  
BRASIL  
GERMANY  
THAILAND  
SINGAPORE  
INDONESIA  
INDIA  
N.S.W. AUSTRALIA  
CHINA

Tel: +1-248-305-6545  
Tel: +1-317-530-1001  
Tel: +1-905-660-0088  
Tel: +52-442-153-2424  
Tel: +55-11-4793-8800  
Tel: +49-(0)2151-65046-0  
Tel: +66-2-714-0008  
Tel: +65-65587393  
Tel: +62-21-527-2841  
Tel: +91-(0)12-4450-2900  
Tel: +61-(0)2-9898-1511  
Tel: +86-(0)21-6915-2200

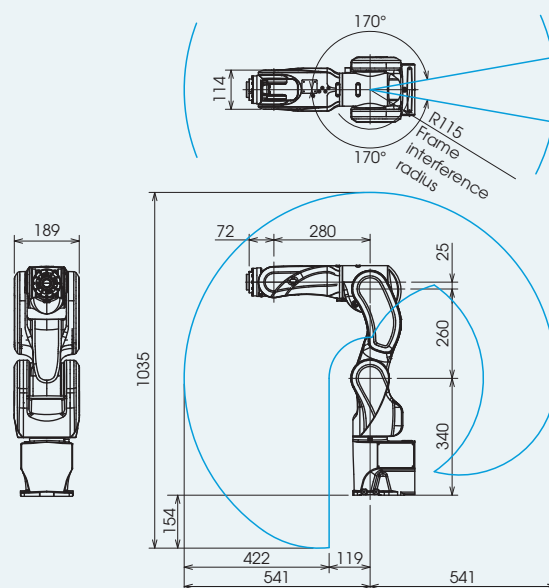
Fax: +1-248-305-6542  
Fax: +1-317-530-1011  
Fax: +1-905-660-1146  
Fax: +52-442-153-2435  
Fax: +55-11-4793-8870  
Fax: +49-(0)2151-65046-90  
Fax: +66-2-714-0740  
Fax: +65-65587371  
Fax: +62-21-527-3029  
Fax: +91-(0)12-4450-2910  
Fax: +61-(0)2-9898-1678  
Fax: +86-(0)21-6915-5427

<http://www.nachirobotics.com>  
<http://www.nachiamerica.com/>  
<http://www.nachicanada.com/>  
<http://www.nachi.com.mx/>  
<http://www.nachi.com.br/>  
<http://www.nachi.de/>  
<http://www.nachi.co.th/>  
<http://www.nachinip.com.sg/>  
<http://www.nachi.co.id/>  
<http://www.nachi.com.au/>  
<https://www.nachi.com.cn/>

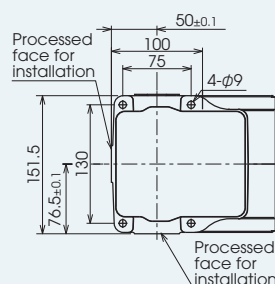
●The specifications are subject to changes without notice.

●In case that an end user uses this product for military purpose or production of weapon, this product may be liable for the subject of export restriction stipulated in the Foreign Exchange and Foreign Trade Control Law. Please go through careful investigation and necessary formalities for export.

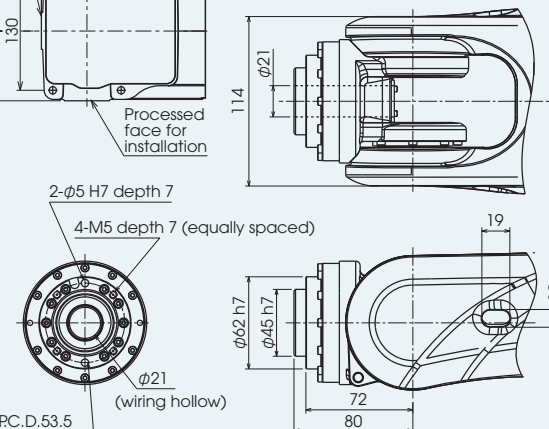
## ●Robot dimensions and Working envelope



## ●Robot base dimensions diagram



## ●Detail of wrist



CATALOG NO. R7703E-2

2019.01. \* -ABE-ABE